

STRIPLINE AG



LINEAR

The STRIPLINE AG is the linear light from Tryka designed with high aesthetics and tight glare control for outdoor and indoor wall lighting applications.

STRIPLINE AG offers excellent visual comfort using precisely engineered single piece housing. The fixture is available in 300mm, 500mm and 1000mm lengths. The product is most suited for facade lighting, window lighting and other similar applications requiring glare-free illumination.

StripLine AG is available with various dimming options - Triac, DALI, 1-10V and DMX.

Please order appropriate TRYKA drivers separately.

Colours Available

• • • RGBW	• • • RGB
• Red	Cool White - 5000K
• Green	Neutral White - 4000K
• Blue	Warm White - 2700K, 3000K
• Amber	

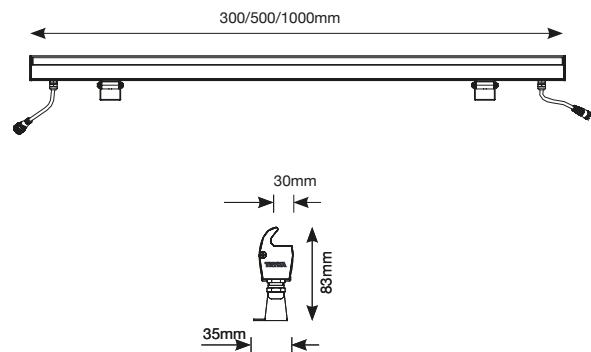
Optics Available

8x50°, 20x40°, 30x60°, 60x120°

Technical Specification			
Length	300mm	500mm	1000mm
Number of LEDs	6	12	24
LED Power Consumption			
Single Colour	4W	7W	15W
RGB and RGBW	2.7W	4.6W	9.2W
Input Voltage	24V DC		
Luminaire Luminous Flux @4000K CRI80	65lm/w		
Housing Material	Aluminium		
Housing Finish	Grey Powder Coated		
Diffuser	Clear Tempered Glass		
Control	Triac, 1-10V, DALI, DMX		
Driver	Remote		
Weight	0.8kg	1.1kg	1.5kg
IP Rating	IP66		
Lamp life L70	50,000 hours		
Operating Ambient Temperature	-20°C to +50°C		

As part of our continuous product development we reserve the right to amend these specifications without prior notice.

Tryka L.E.D. Ltd., Unit 3 Station Works, Station Road, Shepreth, Nr. Royston, Herts, U.K SG8 6PZ. Tel: +44 (0) 1763 260666 www.tryka.com



Product Code

TRY - SL-AG - 300 - XX - YYY - ZZZ - 8x50 - 24V - IP66
 500 20x40
 1000 30x60
 60x120

Note:

Replace XX with number of LEDs
 Replace YYY with wattage from the technical specification table
 Replace ZZZ with 27K, 30K, 40K, 50K, RED, GRN, BLU, AMB, RGB, RGBW
 For RGBW please specify white colour temperature

Product Code Example:

TRY-SL-AG-500-12-7W-20x40-24V-IP66

